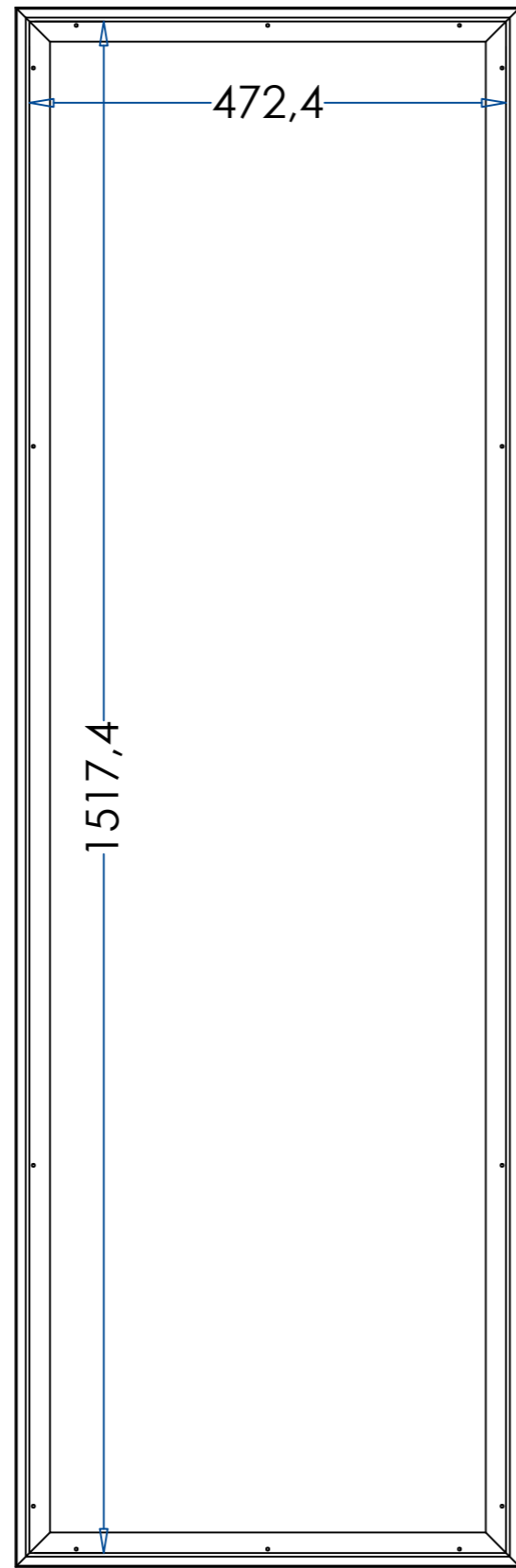
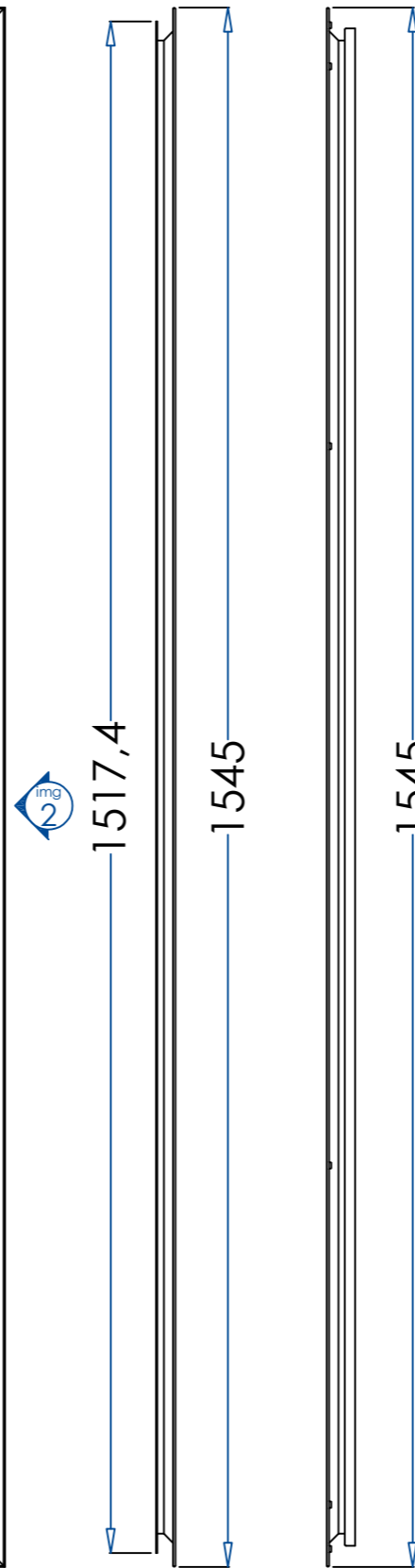


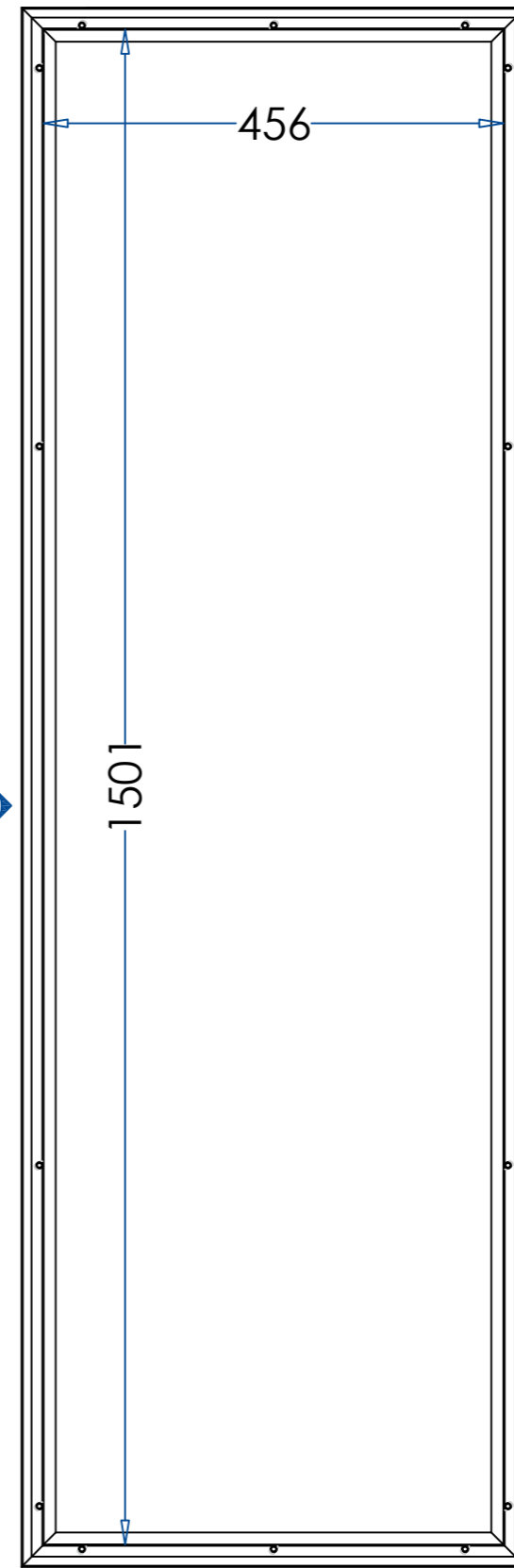
[Front]



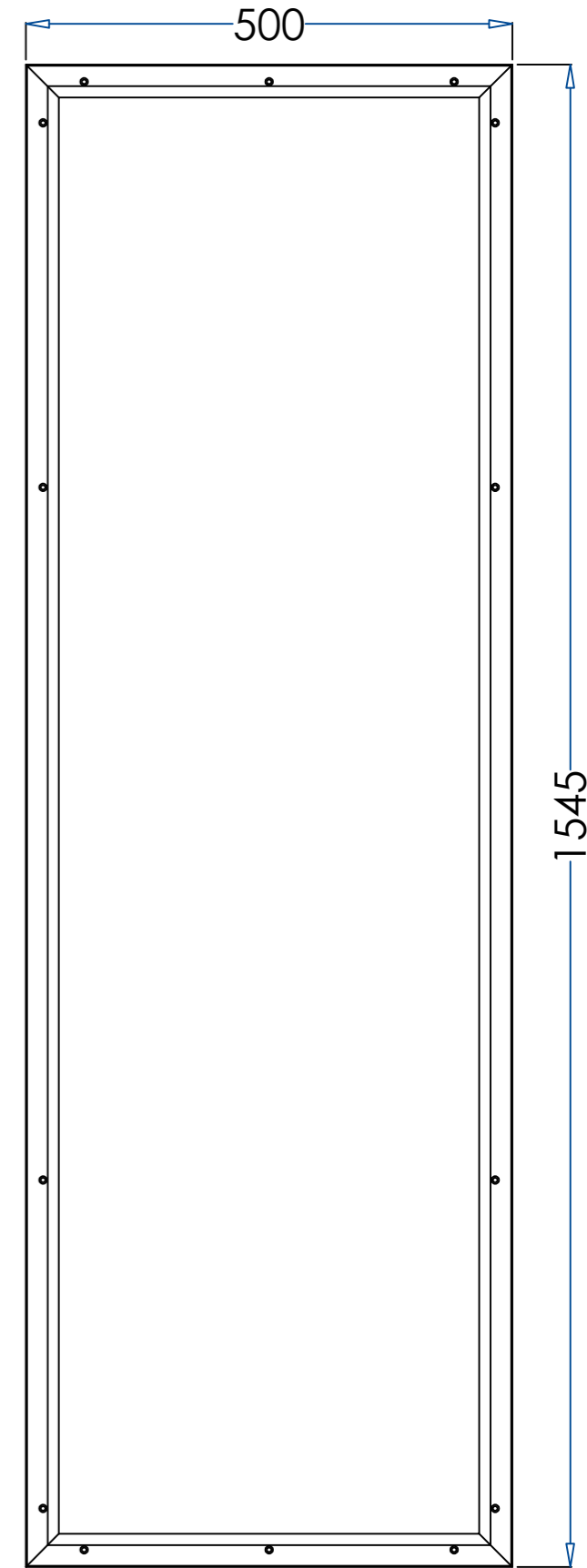
[Back]



[Side] [Side]



[Back]



[Front]

MODEL: 19" x 60"
 VP- 479 x 1524
 SCALE: 1 : 1

DRAWN BY: Carrie Chen
 TEL: +86 18756506821

DRAWING TITLE:
VISION FRAMES



Everpine Group Co., Ltd.
 www.dLouver.com