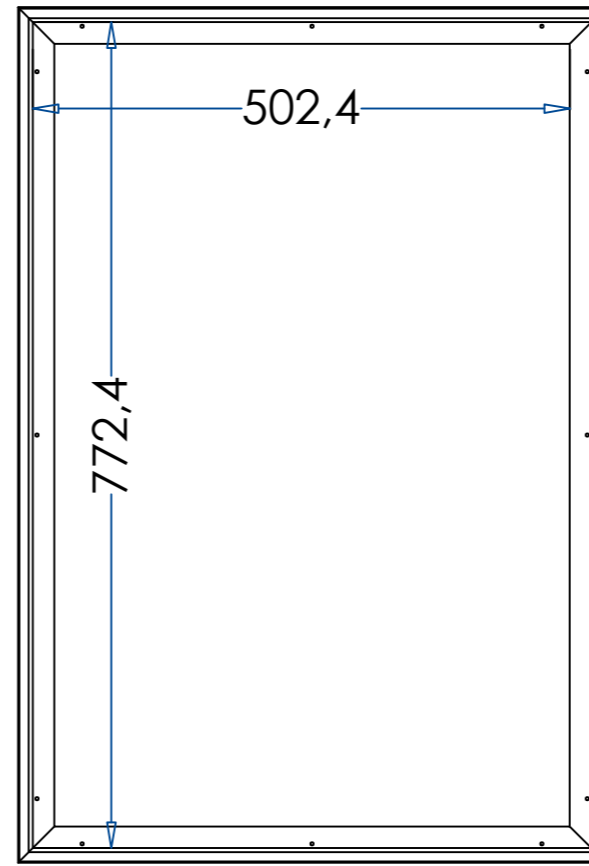
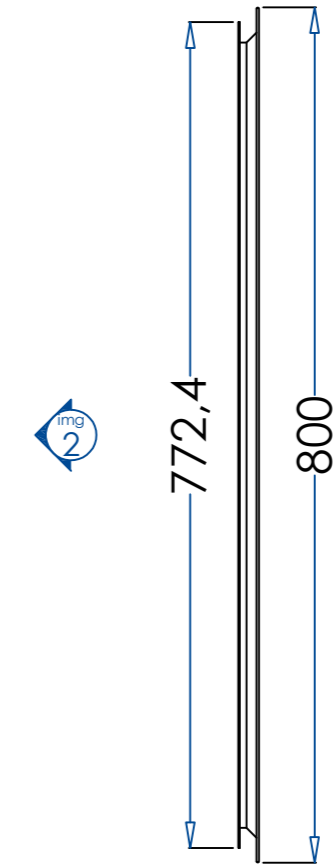


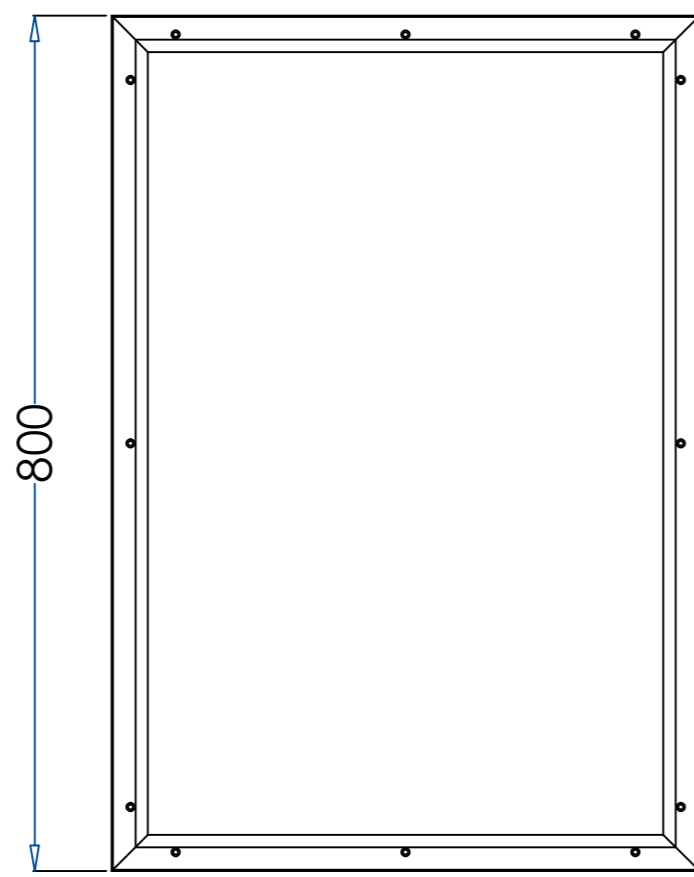
[ Front ]



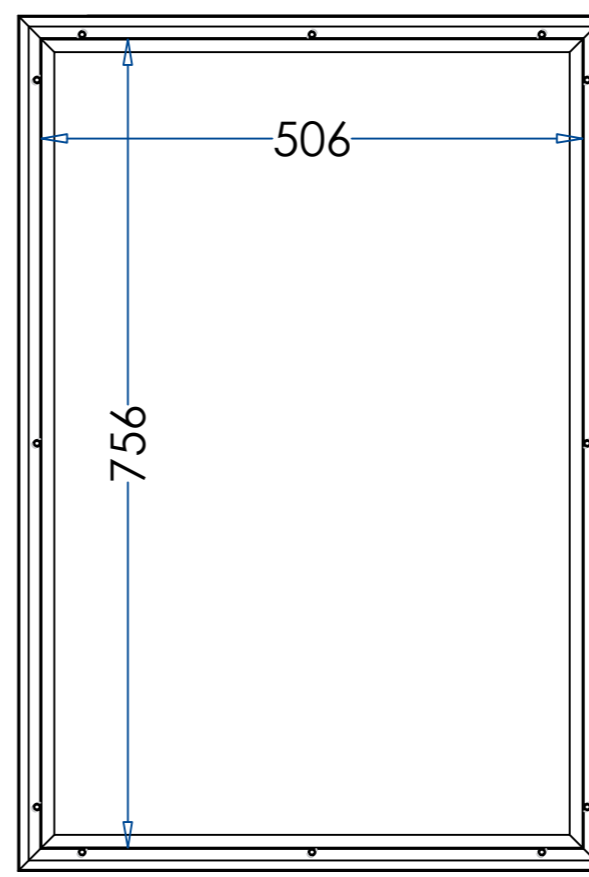
[ Back ]



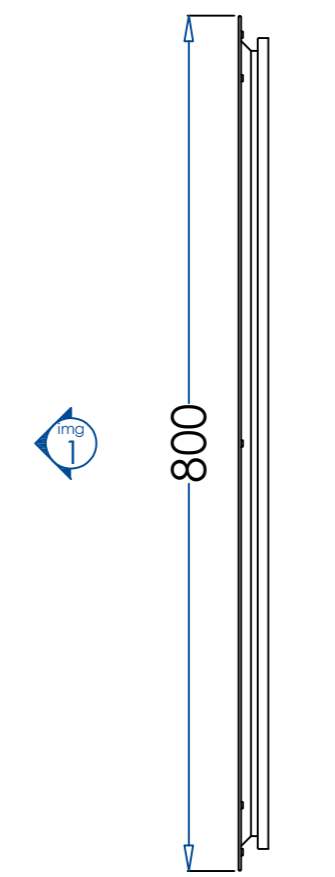
[ Side ]



[ Front ]



[ Back ]



[ Side ]

MODEL: 21" x 30"  
VP- 529 x 779

DRAWN BY:  
Carrie Chen

DRAWING TITLE:

VISION FRAMES

**EverPine**

Everpine Group Co., Ltd.  
www.dLouver.com

SCALE:  
1 : 1

TEL:  
+86 18756506821