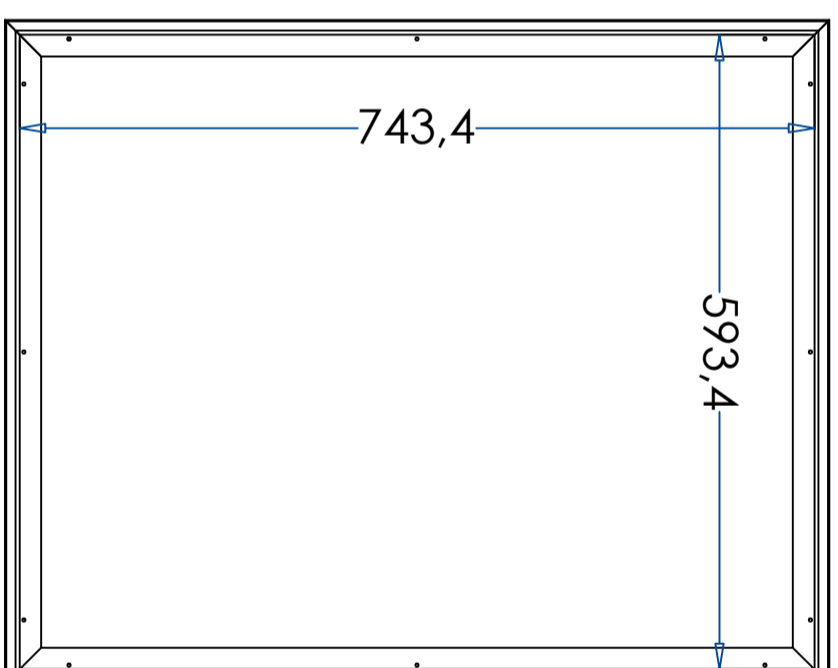
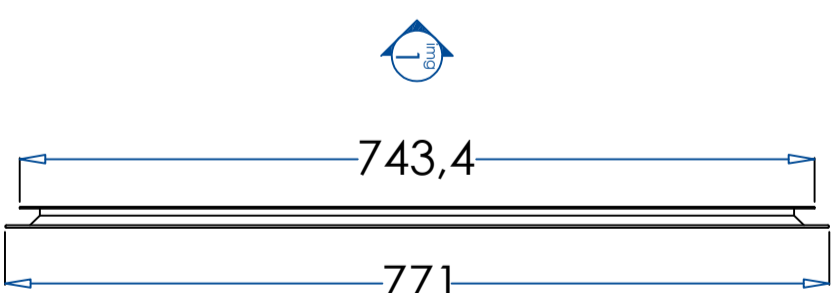


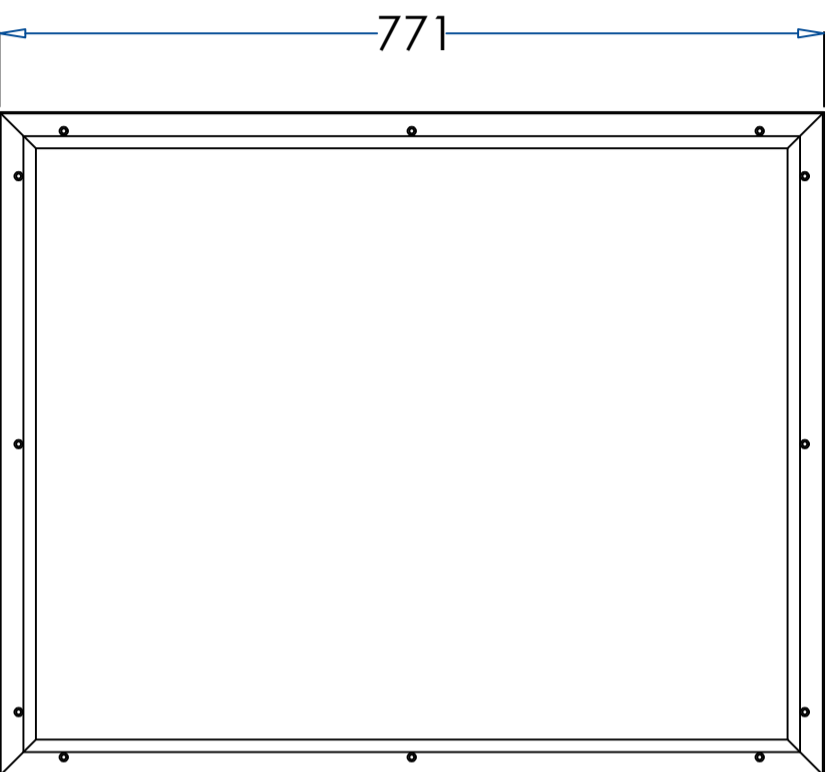
[Front]



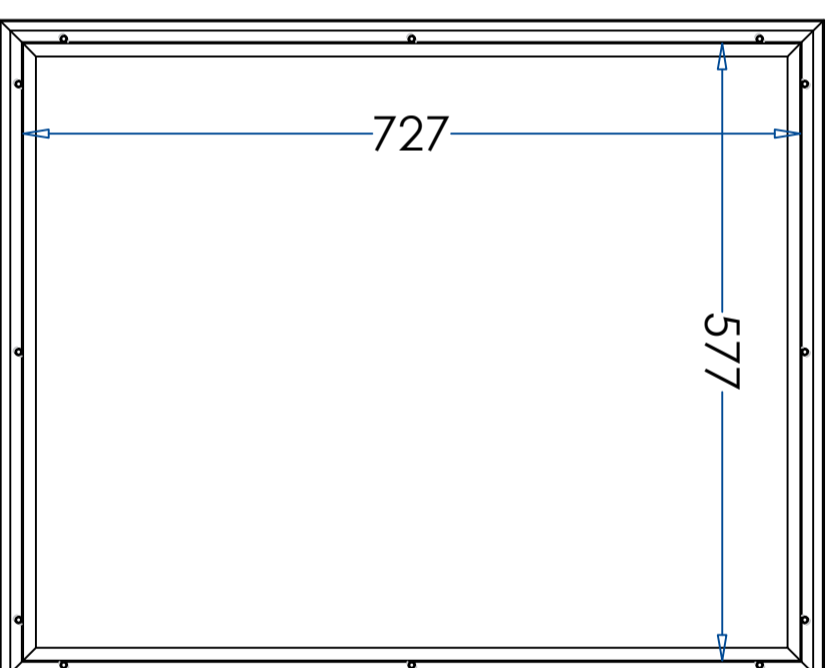
[Back]



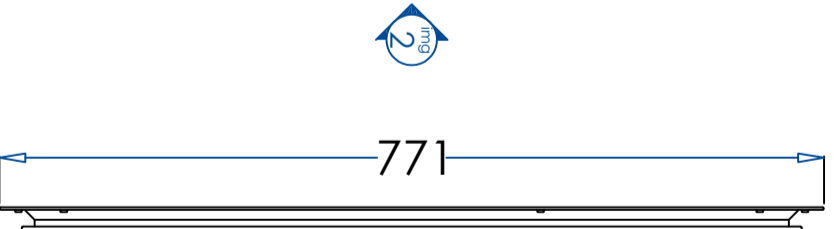
[Side]



[Front]



[Back]



[Side]



MODEL: 23⁵/₈" x 29¹/₂"
VP- 600 x 750

SCALE: 1 : 1

DRAWN BY: Carrie Chen
TEL: +86 18756506821

DRAWING TITLE:

VISION FRAMES

EverPine

Everpine Group Co., Ltd.
www.dlouver.com